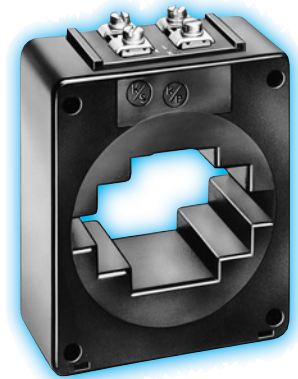
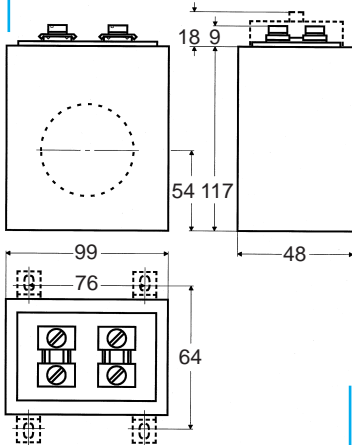


Type N..

Picture showing type N

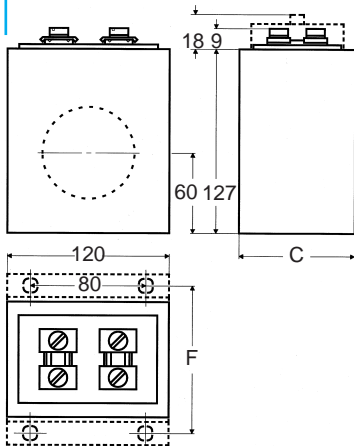


Burden in VA in class / Sec. current / Pricelist- and ordernumber

Type N..	Prim A	10P5			10P10				
		VA	1A	2A	5A	VA	1A	2A	5A
Type N33R 073- for cable ø 33	50	3	E251B	E252B	E255B	1.2	n251D	n252D	n255D
	60	3.5	F261B	F262B	F265B	1.5	B261D	B262D	B265D
	80	4.5	b281B	b282B	b285B	2	C281D	C282D	C285D
	100	5	G291B	G292B	G295B	2.5	D291D	D292D	D295D
	150	7.5	H321B	H322B	H325B	4	a321D	a322D	a325D
	200	10	I341B	I342B	I345B	5	G341D	G342D	G345D
	250	15	L351B	L352B	L355B	6	c351D	c352D	c355D
300	17.5	M361B	M362B	M365B	7.5	H361D	H362D	H365D	
Type N50/10 071- for busbar 50x10	400	12.5	K371B	K372B	K375B	5	G371D	G372D	G375D
	500	12.5	K381B	K382B	K385B	5	G381D	G382D	G385D
	600	12.5	K391B	K392B	K395B	5	G391D	G392D	G395D
	800	12.5	K411B	K412B	K415B	5	G411D	G412D	G415D
	1000	20	N421B	N422B	N425B	7.5	H421D	H422D	H425D
Accessories	4 fixing feet secondary short circuiting piece sealable secondary terminal cover					4A S HG			
	1 busbar holder					1BN			
	special primary or secondary current accuracy class 5P-					on request on request			

Type M..

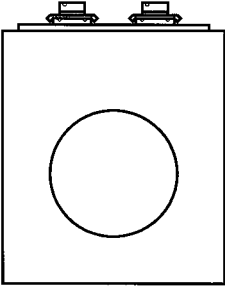
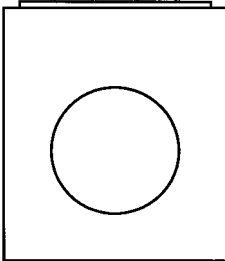
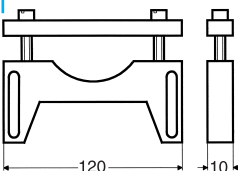
Picture showing type M62R2



Depth is dependent upon the VA-rating of the ct.

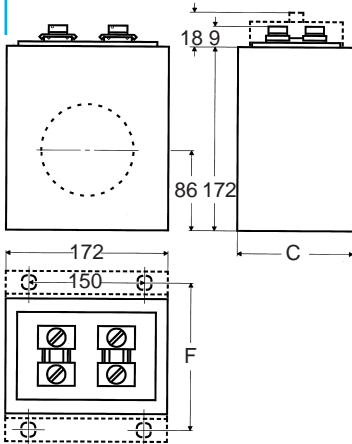
Burden in VA in class 10P10/Sec. current / Pricelist- and ordernumber

	Prim A	VA	Type	sec 1A	sec 5A																
<p>Type M42R.</p> <p>for cable $\varnothing 42$</p> <table border="1"> <thead> <tr> <th>Type</th> <th>Type no</th> <th>C</th> <th>F</th> </tr> </thead> <tbody> <tr> <td>M42R2</td> <td>142</td> <td>54</td> <td>69</td> </tr> <tr> <td>M42R4</td> <td>144</td> <td>76</td> <td>91</td> </tr> <tr> <td>M42R5</td> <td>145</td> <td>98</td> <td>113</td> </tr> </tbody> </table>	Type	Type no	C	F	M42R2	142	54	69	M42R4	144	76	91	M42R5	145	98	113	50	1	M42R2	142A251D	142A255D
	Type	Type no	C	F																	
	M42R2	142	54	69																	
	M42R4	144	76	91																	
	M42R5	145	98	113																	
	50	2.5	M42R5	145D251D	145D255D																
	100	2.5	M42R2	142D291D	142D295D																
	100	5	M42R5	145G291D	145G295D																
	150	5	M42R2	142G321D	142G325D																
	150	7.5	M42R4	144H321D	144H325D																
	150	10	M42R5	145I321D	145I325D																
	200	5	M42R2	142G341D	142G345D																
	200	10	M42R4	144I341D	144I345D																
	200	15	M42R5	145L341D	145L345D																
	250	5	M42R2	142G351D	142G355D																
	250	10	M42R4	144I351D	144I355D																
250	15	M42R5	145L351D	145L355D																	
300	5	M42R2	142G361D	142G365D																	
300	10	M42R2	142I361D	142I365D																	
300	15	M42R4	144L361D	144L365D																	
400	5	M42R2	142G371D	142G375D																	
400	10	M42R2	142I371D	142I375D																	
400	15	M42R4	144L371D	144L375D																	
400	25	M42R5	145P371D	145P375D																	
500	5	M42R2	142G381D	142G385D																	
500	10	M42R2	142I381D	142I385D																	
500	15	M42R2	142L381D	142L385D																	
500	30	M42R5	145Q381D	145Q385D																	

Burden in VA in class 10P10/Sec. current / Pricelist- and ordernumber																						
	Prim A	VA	Type	sec 1A	sec 5A																	
<p>Type M62R.</p>  <p>for cable \varnothing 62</p> <table border="1"> <thead> <tr> <th>Type</th> <th>Type no</th> <th>C</th> <th>F</th> </tr> </thead> <tbody> <tr> <td>M62R2</td> <td>162</td> <td>54</td> <td>69</td> </tr> <tr> <td>M62R4</td> <td>164</td> <td>76</td> <td>91</td> </tr> <tr> <td>M62R5</td> <td>165</td> <td>98</td> <td>113</td> </tr> </tbody> </table>	Type	Type no	C	F	M62R2	162	54	69	M62R4	164	76	91	M62R5	165	98	113	150	5	M62R4	164G321D	164G325D	
	Type	Type no	C	F																		
	M62R2	162	54	69																		
	M62R4	164	76	91																		
	M62R5	165	98	113																		
	200	5	M62R4	164G341D	164G345D																	
	250	5	M62R4	164G351D	164G355D																	
	250	10	M62R4	164I351D	164I355D																	
	300	5	M62R4	164G361D	164G365D																	
	300	10	M62R4	164I361D	164I365D																	
	400	5	M62R2	162G371D	162G375D																	
	400	10	M62R4	164I371D	164I375D																	
	400	15	M62R5	165L371D	165L375D																	
	500	5	M62R2	162G381D	162G385D																	
	500	10	M62R2	162I381D	162I385D																	
	500	15	M62R4	164L381D	164L385D																	
	500	20	M62R5	165N381D	165N385D																	
	600	10	M62R2	162I391D	162I395D																	
	600	15	M62R4	164L391D	164L395D																	
	600	25	M62R5	165P391D	165P395D																	
800	10	M62R2	162I411D	162I415D																		
800	15	M62R2	162L411D	162L415D																		
800	30	M62R5	165Q411D	165Q415D																		
1000	15	M62R2	162L421D	162L425D																		
1000	30	M62R5	165Q421D	165Q425D																		
1200	15	M62R2	162L431D	162L435D																		
1200	30	M62R4	164Q431D	164Q435D																		
<p>Type M82R.</p>  <p>for cable \varnothing 82</p> <table border="1"> <thead> <tr> <th>Type</th> <th>Type no</th> <th>C</th> <th>F</th> </tr> </thead> <tbody> <tr> <td>M82R2</td> <td>182</td> <td>54</td> <td>69</td> </tr> <tr> <td>M82R4</td> <td>184</td> <td>76</td> <td>91</td> </tr> <tr> <td>M82R5</td> <td>185</td> <td>98</td> <td>113</td> </tr> </tbody> </table>	Type	Type no	C	F	M82R2	182	54	69	M82R4	184	76	91	M82R5	185	98	113	800	15	M82R5	185L411D	185L415D	
	Type	Type no	C	F																		
	M82R2	182	54	69																		
	M82R4	184	76	91																		
	M82R5	185	98	113																		
1000	20	M82R5	185N421D	185N425D																		
1200	15	M82R4	184L431D	184L435D																		
1200	25	M82R5	185P431D	185P435D																		
Accessories	fixing brackets secondary short circuiting piece sealable secondary terminal cover special primary or secondary current increased burden accuracy class 5P- accuracy limit factor 5, 15, ...					FM S HG on request on request on request on request																
	1 busbar/cable clamp 2 busbar/cable clamps					1DM 2DM																

Type H..

Picture showing type H102R2

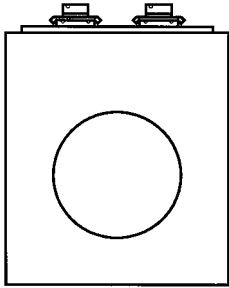
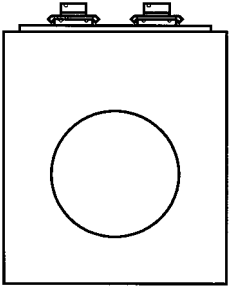


Depth is dependent upon the VA-rating of the ct.

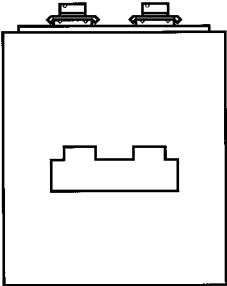
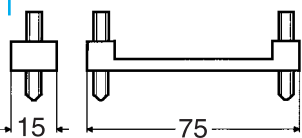
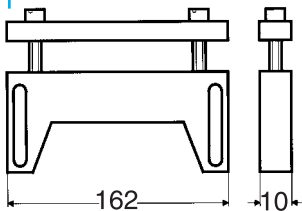
Burden in VA in class 10P10/Sec. current / Pricelist- and ordernumber

	Prim A	VA	Type	sec 1A	sec 5A																
<p>Type H42R.</p> <p>for cable \varnothing 42</p> <table border="1"> <thead> <tr> <th>Type</th> <th>Type no</th> <th>C</th> <th>F</th> </tr> </thead> <tbody> <tr> <td>H42R2</td> <td>512</td> <td>60</td> <td>85</td> </tr> <tr> <td>H42R3</td> <td>513</td> <td>90</td> <td>115</td> </tr> <tr> <td>H42R4</td> <td>514</td> <td>120</td> <td>145</td> </tr> </tbody> </table>	Type	Type no	C	F	H42R2	512	60	85	H42R3	513	90	115	H42R4	514	120	145	50	5	H42R3	513G251D	513G255D
	Type	Type no	C	F																	
	H42R2	512	60	85																	
	H42R3	513	90	115																	
	H42R4	514	120	145																	
100	7.5	H42R2	512H291D	512H295D																	
100	10	H42R3	513I291D	513I295D																	
100	15	H42R4	514L291D	514L295D																	
	150	15	H42R3	513L321D	513L325D																
<p>Type H62R.</p> <p>for cable \varnothing 62</p> <table border="1"> <thead> <tr> <th>Type</th> <th>Type no</th> <th>C</th> <th>F</th> </tr> </thead> <tbody> <tr> <td>H62R2</td> <td>522</td> <td>60</td> <td>85</td> </tr> <tr> <td>H62R3</td> <td>523</td> <td>90</td> <td>115</td> </tr> <tr> <td>H62R4</td> <td>524</td> <td>120</td> <td>145</td> </tr> </tbody> </table>	Type	Type no	C	F	H62R2	522	60	85	H62R3	523	90	115	H62R4	524	120	145	100	5	H62R2	522G291D	522G295D
	Type	Type no	C	F																	
	H62R2	522	60	85																	
	H62R3	523	90	115																	
	H62R4	524	120	145																	
	100	7.5	H62R3	523H291D	523H295D																
	100	10	H62R4	524I291D	524I295D																
	150	7.5	H62R2	522H321D	522H325D																
	150	10	H62R2	522I321D	522I325D																
	150	15	H62R3	523L321D	523L325D																
	200	10	H62R2	522I341D	522I345D																
	200	15	H62R3	523L341D	523L345D																
	250	15	H62R2	522L351D	522L355D																
300	15	H62R2	522L361D	522L365D																	
500	30	H62R2	522Q381D	522Q385D																	

Burden in VA in class 10P10/Sec. current / Pricelist- and ordernumber

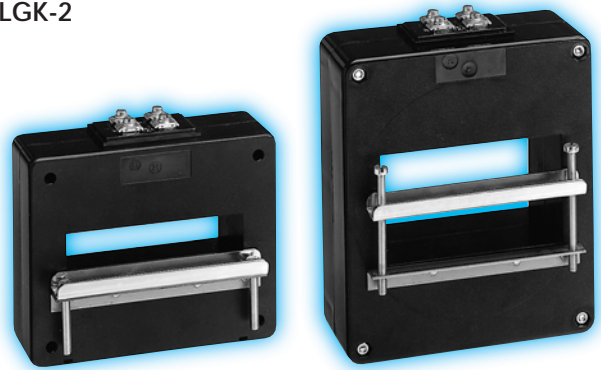
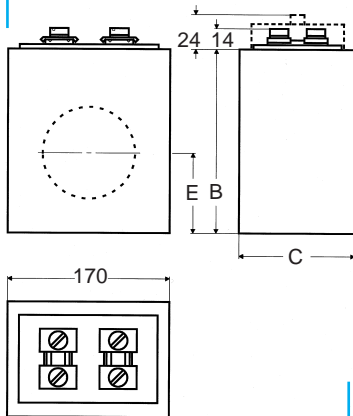
	Prim A	VA	Type	sec 1A	sec 5A												
Type H87R.																	
 <p>for cable ø 87</p> <table border="1"> <thead> <tr> <th>Type</th> <th>Type no</th> <th>C</th> <th>F</th> </tr> </thead> <tbody> <tr> <td>H87R2</td> <td>542</td> <td>60</td> <td>85</td> </tr> <tr> <td>H87R3</td> <td>543</td> <td>90</td> <td>115</td> </tr> </tbody> </table>	Type	Type no	C	F	H87R2	542	60	85	H87R3	543	90	115	50	2	H87R2	542C251D	542C255D
	Type	Type no	C	F													
	H87R2	542	60	85													
	H87R3	543	90	115													
	100	3.5	H87R2	542F291D	542F295D												
	150	5	H87R2	542G321D	542G325D												
	200	5	H87R2	542G341D	542G345D												
	250	5	H87R2	542G351D	542G355D												
	250	7.5	H87R2	542H351D	542H355D												
	300	5	H87R2	542G361D	542G365D												
	300	10	H87R2	542I361D	542I365D												
	400	5	H87R2	542G371D	542G375D												
	400	10	H87R2	542I371D	542I375D												
	400	15	H87R2	542L371D	542L375D												
	500	5	H87R2	542G381D	542G385D												
	500	10	H87R2	542I381D	542I385D												
500	15	H87R2	542L381D	542L385D													
600	10	H87R2	542I391D	542I395D													
600	15	H87R2	542L391D	542L395D													
600	20	H87R2	542N391D	542N395D													
600	30	H87R3	543Q391D	543Q395D													
800	15	H87R2	542L411D	542L415D													
800	30	H87R2	542Q411D	542Q415D													
1000	15	H87R2	542L421D	542L425D													
1000	30	H87R2	542Q421D	542Q425D													
1200	15	H87R2	542L431D	542L435D													
1200	30	H87R2	542Q431D	542Q435D													
1500	15	H87R2	542L451D	542L455D													
1500	30	H87R2	542Q451D	542Q455D													
2000	15	H87R2	542L481D	542L485D													
2000	30	H87R2	542Q481D	542Q485D													
Type H115R2																	
 <p>for cable ø 115</p> <p>C = 60</p> <p>F = 85</p>	500	5	H115R2	552G381D	552G385D												
	600	10	H115R2	552I391D	552I395D												
	800	15	H115R2	552L411D	552L415D												
	1000	15	H115R2	552L421D	552L425D												
	1200	15	H115R2	552L431D	552L435D												
	1200	20	H115R2	552N431D	552N435D												
	1500	15	H115R2	552L451D	552L455D												
	1500	25	H115R2	552P451D	552P455D												
	2000	15	H115R2	552L481D	552L485D												
	2000	30	H115R2	552Q481D	552Q485D												
	2500	15	H115R2	552L491D	552L495D												
	2500	30	H115R2	552Q491D	552Q495D												
	3000	15	H115R2	552L501D	552L505D												
	3000	30	H115R2	552Q501D	552Q505D												

Burden in VA in class 10P10/Sec. current / Pricelist- and ordernumber

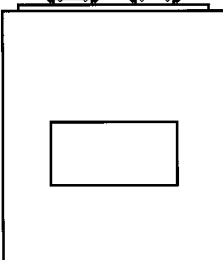
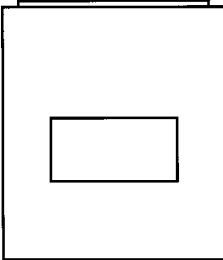
	Prim A	VA	Type	sec 1A	sec 5A	
<p>Type H100/30</p>  <p>for busbar 100x30 C = 60 F = 85</p>	500	5	H100/30	572G381D	572G385D	
	600	10	H100/30	572I391D	572I395D	
	800	15	H100/30	572L411D	572L415D	
	1000	15	H100/30	572L421D	572L425D	
	1200	15	H100/30	572L431D	572L435D	
	1200	20	H100/30	572N431D	572N435D	
	1500	15	H100/30	572L451D	572L455D	
	1500	25	H100/30	572P451D	572P455D	
	2000	15	H100/30	572L481D	572L485D	
	2000	30	H100/30	572Q481D	572Q485D	
	2500	15	H100/30	572L491D	572L495D	
	2500	30	H100/30	572Q491D	572Q495D	
	3000	15	H100/30	572L501D	572L505D	
	3000	30	H100/30	572Q501D	572Q505D	
	<p>Type H.. is available for cable \varnothing 30, \varnothing 42, \varnothing 62, \varnothing 72, \varnothing 80, \varnothing 87, \varnothing 102 and \varnothing 115, and for busbar 100x30.</p> <p>For cable \varnothing 30 to \varnothing 115 the depth of the ct is determined by the last number in the type designation, e.g. H80R2 - depth 60mm.</p> <p>For cable \varnothing 30 to \varnothing 80, type H.. is available in depths: 60mm - H..R2, 90mm - H..R3, 120mm - H..R4, 150mm - H..R5 etc.</p> <p>For cable \varnothing 87 to \varnothing 115, type H.. is normally available in depth 60mm only.</p> <p>Type H100/30 is available in depth 60mm only.</p>					
Accessories	<p>fixing brackets secondary short circuiting piece sealable secondary terminal cover</p>				<p>FH S HG</p>	
	2 busbar holders (for type H100/30 only)				2BH	
	<p>1 busbar clamp 2 busbar clamps</p>				<p>1CH 2CH</p>	
	<p>special primary or secondary current increased burden accuracy class 5P- accuracy limit factor 5, 15, ...</p>				<p>on request on request on request on request</p>	

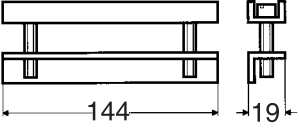
Type LGK

Picture showing type LGK and LGK-2



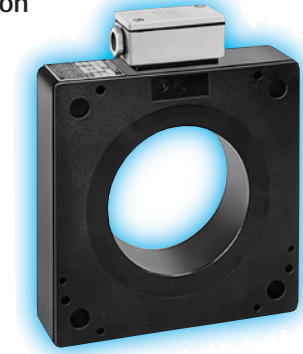
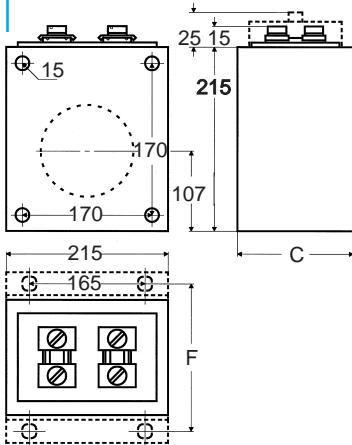
Burden in VA in class / Sec. current / Pricelist- and ordernumber

	Prim A	10P10			10P15				
		VA	1A	2A	5A	VA	1A	2A	5A
Type LGK 110-  for busbar 120x35 B = 140 C = 63 E = 71	1500	7.5	H451D	H452D	H455D				
	2000	10	I481D	I482D	I485D				
	2500	10	I491D	I492D	I495D				
	3000	10	I501D	I502D	I505D				
	3500	10	I511D	I512D	I515D				
	4000	10	I521D	I522D	I525D				
Type LGK-2 112-  for busbar 120x70 B = 201 C = 74 E = 101	1500	10	I451D	I452D	I455D	5	G451F	G452F	G455F
	2000	15	L481D	L482D	L485D	5	G481F	G482F	G485F
	2500	15	L491D	L492D	L495D	5	G491F	G492F	G495F
	3000	15	L501D	L502D	L505D	5	G501F	G502F	G505F
	3500	15	L511D	L512D	L515D	5	G511F	G512F	G515F
	4000	15	L521D	L522D	L525D	5	G521F	G522F	G525F
	5000	25	P541D	P542D	P545D				
	6000	25	P551D	P552D	P555D				

<p>Accessories</p>	<p>type LGK and LGK-2 are as standard delivered with one busbar clamp (see photo)</p>	
	<p>2 busbar clamps</p>	<p>2CLGK</p>
	<p>secondary short circuiting piece sealable secondary terminal cover</p>	<p>S HG</p>
	<p>two or three ratios, secondary change special primary or secondary current increased burden accuracy class 5P- accuracy limit factor 5, 20</p>	<p>on request on request on request on request on request</p>

Type F..

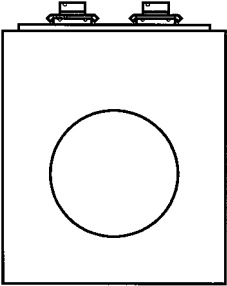
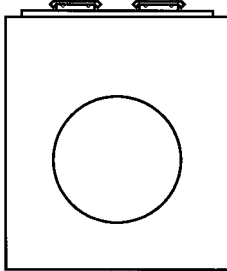
Picture showing type F120R2U for outdoor application

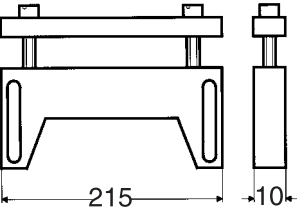


Cable current transformer produced in numerous combinations of primary current, VA-rating and class to suit specific applications. Available in indoor and outdoor version. Depth is dependent upon the electrical requirements of the ct.

Typical combinations show in the list below.

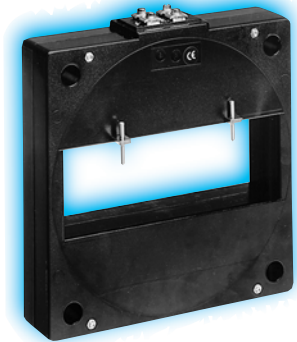
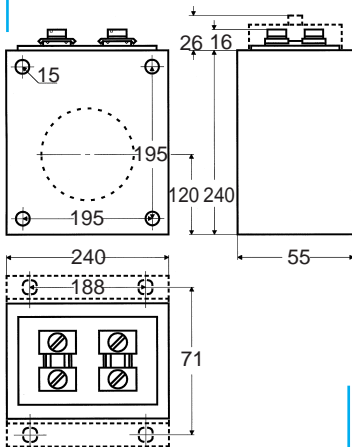
	Prim A	VA	Class	Type	sec 1A	sec 2A	sec 5A	outdoor*																
<p>Type F80R.</p> <p>for cable ø 80</p> <table border="1"> <tr> <th>Type</th> <th>Type no</th> <th>C</th> <th>F</th> </tr> <tr> <td>F80R2</td> <td>282</td> <td>56</td> <td>75</td> </tr> <tr> <td>F80R4</td> <td>284</td> <td>78</td> <td>97</td> </tr> <tr> <td>F80R5</td> <td>285</td> <td>100</td> <td>119</td> </tr> </table>	Type	Type no	C	F	F80R2	282	56	75	F80R4	284	78	97	F80R5	285	100	119	100	5	10P10	F80R2	282G291D	282G292D	282G295D	282U
	Type	Type no	C	F																				
	F80R2	282	56	75																				
	F80R4	284	78	97																				
	F80R5	285	100	119																				
	100	10	10P10	F80R4	284I291D	284I292D	284I295D	284U																
	100	15	10P10	F80R5	285L291D	285L292D	285L295D	285U																
	150	10	10P10	F80R2	282I321D	282I322D	282I325D	282U																
	150	15	10P10	F80R5	285L321D	285L322D	285L325D	285U																
	150	25	10P10	F80R5	285P321D	285P322D	285P325D	285U																
	200	15	10P10	F80R4	284L341D	284L342D	284L345D	284U																
	200	30	10P10	F80R5	285Q341D	285Q342D	285Q345D	285U																
	300	15	10P10	F80R2	282L361D	282L362D	282L365D	282U																
	300	30	10P10	F80R4	284Q361D	284Q362D	284Q365D	284U																
	400	15	10P10	F80R2	282L371D	282L372D	282L375D	282U																
	400	30	10P10	F80R4	284Q371D	284Q372D	284Q375D	284U																
400	30	10P20	F80R5	285Q371H	285Q372H	285Q375H	285U																	
500	15	10P10	F80R2	282L381D	282L382D	282L385D	282U																	
500	30	10P10	F80R2	282Q381D	282Q382D	282Q385D	282U																	
500	30	10P20	F80R5	285Q381H	285Q382H	285Q385H	285U																	
600	15	10P10	F80R2	282L391D	282L392D	282L395D	282U																	
600	30	10P10	F80R2	282Q391D	282Q392D	282Q395D	282U																	
600	30	10P20	F80R5	285Q391H	285Q392H	285Q395H	285U																	

	Prim A	VA	Class	Type	sec 1A	sec 2A	sec 5A	outdoor*																																																																									
Type F120R.																																																																																	
 <p>for cable ø 120</p>	150	5	10P10	F120R2	232G321D	232G322D	232G325D	232U																																																																									
	150	7.5	10P10	F120R4	234H321D	234H322D	234H325D	234U																																																																									
	150	10	10P10	F120R5	235I321D	235I322D	235I325D	235U																																																																									
	150	15	10P10	F120R5	235L321D	235L322D	235L325D	235U																																																																									
	200	15	10P10	F120R5	235L341D	235L342D	235L345D	235U																																																																									
	200	20	10P10	F120R5	235N341D	235N342D	235N345D	235U																																																																									
	300	10	10P10	F120R2	232I361D	232I362D	232I365D	232U																																																																									
	300	20	10P10	F120R5	235N361D	235N362D	235N365D	235U																																																																									
	300	30	10P10	F120R5	235Q361D	235Q362D	235Q365D	235U																																																																									
	400	10	10P10	F120R2	232I371D	232I372D	232I375D	232U																																																																									
	400	20	10P10	F120R4	234N371D	234N372D	234N375D	234U																																																																									
	400	30	10P10	F120R5	235Q371D	235Q372D	235Q375D	235U																																																																									
	500	15	10P10	F120R2	232L381D	232L382D	232L385D	232U																																																																									
	500	30	10P10	F120R4	234Q381D	234Q382D	234Q385D	234U																																																																									
	600	15	10P10	F120R2	232L391D	232L392D	232L395D	232U																																																																									
	600	30	10P10	F120R4	234Q391D	234Q392D	234Q395D	234U																																																																									
	600	30	10P20	F120R5	235Q391H	235Q392H	235Q395H	235U																																																																									
	800	15	10P10	F120R2	232L411D	232L412D	232L415D	232U																																																																									
	800	30	10P10	F120R2	232Q411D	232Q412D	232Q415D	232U																																																																									
	1000	10	10P10	F120R2	232I421D	232I422D	232I425D	232U																																																																									
1000	15	10P10	F120R2	232L421D	232L422D	232L425D	232U																																																																										
1000	20	10P10	F120R2	232N421D	232N422D	232N425D	232U																																																																										
1000	30	10P10	F120R2	232Q421D	232Q422D	232Q425D	232U																																																																										
1000	30	10P20	F120R5	235Q421H	235Q422H	235Q425H	235U																																																																										
1200	15	10P10	F120R2	232L431D	232L432D	232L435D	232U																																																																										
1200	30	10P10	F120R2	232Q431D	232Q432D	232Q435D	232U																																																																										
1200	25	10P20	F120R4	234P431H	234P432H	234P435H	234U																																																																										
2000	15	10P10	F120R2	232L481D	232L482D	232L485D	232U																																																																										
2000	30	10P10	F120R2	232Q481D	232Q482D	232Q485D	232U																																																																										
2000	60	10P10	F120R4	234V481D	234V482D	234V485D	234U																																																																										
Type F150R.																																																																																	
 <p>for cable ø 150</p>	150	5	10P10	F150R4	244G321D	244G322D	244G325D	244U																																																																									
	150	7.5	10P10	F150R5	245H321D	245H322D	245H325D	245U																																																																									
	150	10	10P10	F150R5	245I321D	245I322D	245I325D	245U																																																																									
	300	10	10P10	F150R5	245I361D	245I362D	245I365D	245U																																																																									
	300	15	10P10	F150R5	245L361D	245L362D	245L365D	245U																																																																									
	500	30	10P10	F150R5	245Q381D	245Q382D	245Q385D	245U																																																																									
	600	30	10P10	F150R5	245Q391D	245Q392D	245Q395D	245U																																																																									
	800	30	10P10	F150R4	244Q411D	244Q412D	244Q415D	244U																																																																									
	1000	30	10P10	F150R4	244Q421D	244Q422D	244Q425D	244U																																																																									
	1200	30	10P10	F150R4	244Q431D	244Q432D	244Q435D	244U																																																																									
	2000	30	10P10	F150R2	242Q481D	242Q482D	242Q485D	242U																																																																									
	2400	50	10P10	F150R4	244U701D	244U702D	244U705D	244U																																																																									
	<table border="0"> <tr> <td>Type</td> <td>Type no</td> <td>C</td> <td>F</td> <td colspan="5"></td> </tr> <tr> <td>F120R2</td> <td>232</td> <td>56</td> <td>75</td> <td colspan="5"></td> </tr> <tr> <td>F120R4</td> <td>234</td> <td>78</td> <td>97</td> <td colspan="5"></td> </tr> <tr> <td>F120R5</td> <td>235</td> <td>100</td> <td>119</td> <td colspan="5"></td> </tr> <tr> <td>Type</td> <td>Type no</td> <td>C</td> <td>F</td> <td colspan="5"></td> </tr> <tr> <td>F150R2</td> <td>242</td> <td>56</td> <td>75</td> <td colspan="5"></td> </tr> <tr> <td>F150R4</td> <td>244</td> <td>78</td> <td>97</td> <td colspan="5"></td> </tr> <tr> <td>F150R5</td> <td>245</td> <td>100</td> <td>119</td> <td colspan="5"></td> </tr> </table>									Type	Type no	C	F						F120R2	232	56	75						F120R4	234	78	97						F120R5	235	100	119						Type	Type no	C	F						F150R2	242	56	75						F150R4	244	78	97						F150R5	245	100	119					
	Type	Type no	C	F																																																																													
F120R2	232	56	75																																																																														
F120R4	234	78	97																																																																														
F120R5	235	100	119																																																																														
Type	Type no	C	F																																																																														
F150R2	242	56	75																																																																														
F150R4	244	78	97																																																																														
F150R5	245	100	119																																																																														

<p>Accessories</p>	<p>fixing brackets (indoor) fixing brackets in stainless steel (outdoor) secondary short circuiting piece sealable secondary terminal cover (indoor) for outdoor application the ct is equipped with waterproof terminal box, hight 41mm (see photo)</p>	<p>FF FFU S HG</p>
	<p>1 busbar clamp 2 busbar clamps</p>	<p>1CF 2CF</p>
	<p>special primary or secondary current two or three ratios, secondary change increased burden accuracy class 5P- accuracy limit factor 5, 15, 20, 30, ...</p> <p>*) additional charge for outdoor version</p>	<p>on request on request on request on request on request</p>

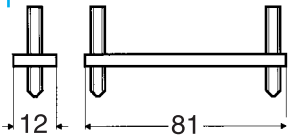
Type A..

Picture showing type A205/70 with 2 busbar holders



Burden in VA in class / Sec. current / Pricelist- and ordernumber

	Prim A	VA	10P10 1A	5A	
<p>Type A180R 650-</p> <p>for cable ø180</p>	1500 2000 2500 3000 4000 5000 6000 8000	10 15 15 15 15 15 15 15	-I451D -L481D -L491D -L501D -L521D -L541D -L551D -L591D	-I455D -L485D -L495D -L505D -L525D -L545D -L555D -L595D	
<p>Type A205/35 652-</p> <p>for busbar 205x35</p>	1500 2000 2500 3000 4000 5000 6000 8000	10 15 15 15 15 15 15 15	-I451D -L481D -L491D -L501D -L521D -L541D -L551D -L591D	-I455D -L485D -L495D -L505D -L525D -L545D -L555D -L595D	
<p>Type A205/70 653-</p> <p>for busbar 205x70</p>	1500 2000 2500 3000 4000 5000 6000 8000	10 15 15 15 15 15 15 15	-I451D -L481D -L491D -L501D -L521D -L541D -L551D -L591D	-I455D -L485D -L495D -L505D -L525D -L545D -L555D -L595D	

<p>Accessories</p>	<p>Fixing brackets secondary short circuiting piece sealable secondary terminal cover special primary or secondary current increased burden accuracy class 5P- accuracy limit factor 5, 15, 20</p>	<p>FA S HG on request on request on request on request</p>
	<p>2 busbar holders (for type A205/35 and A205/70 only)</p>	<p>2BA</p>