



### ORDERING CODE (命名规则)

Example:

ZP=Zettler standard series

AP=Customized series

HP=High Performance series

DP=DC-DC

Output Power (W)

03=3W

20=20W

Output Type

S=Single Output

D=Dual Output

T=Triple Output

First Output Voltage

05=5V, 12=12V

Second Output Voltage

06=6V, 12=12V

00= No Second Output

Input AC Voltage Range

W=Wide Voltage Input

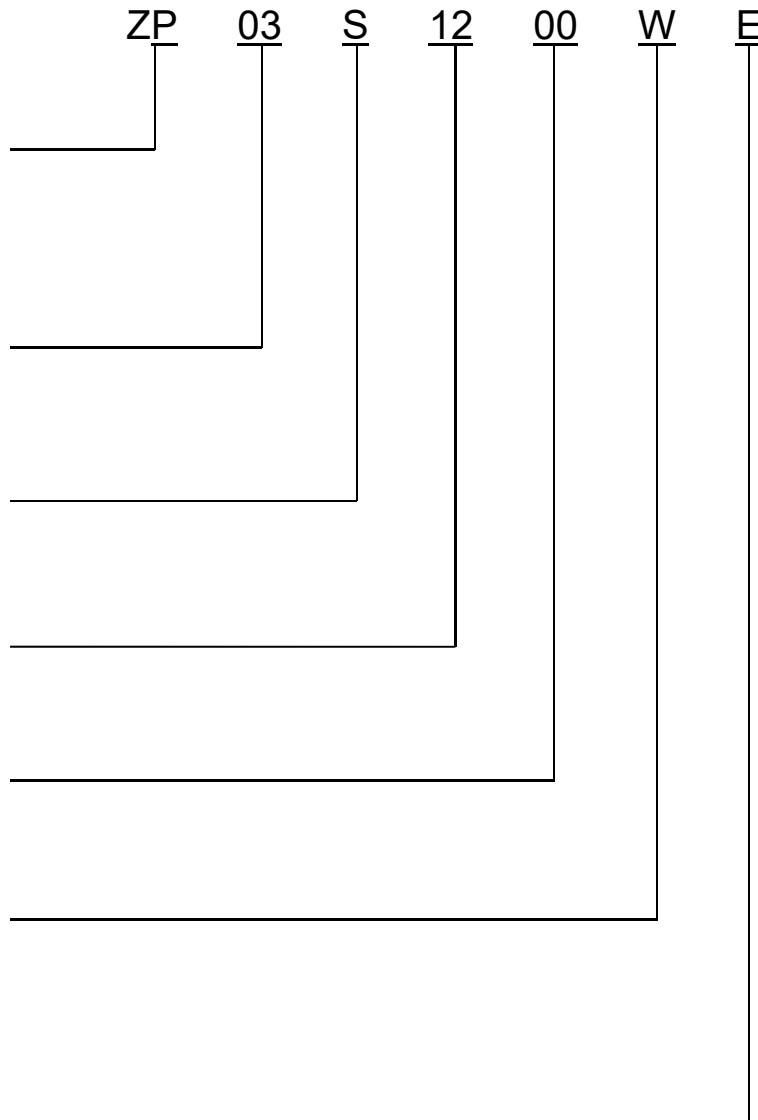
H=High Voltage Input (  $\geq 165\text{VAC}$  )

L=Low Voltage Input (  $< 165\text{VAC}$  )

Case Dimension

A: A Type case

B: B Type case...



### FEATURES (产品特点)

- PCB mounted switching power module
- AC input voltage range: 85VAC~265VAC
- DC input voltage range: 100VDC~370VDC
- Ambient temperature range: -25°C~50°C
- Storage temperature range: -40°C~105°C
- Leakage current (Input :265VAC): <0.1mA
- Isolation voltage: Input –Output  $\geq$ 3000VAC 60S
- Insulation Resistance: Input –Output 500VDC  $\geq$ 100M Ohms
- MTBF: 300Khrs Min MIL-HDBK-217F (25°C)
- Compact size, easy installation
- High efficiency Low standby power consumption, environment-friendly
- Built-in output over current protection, over-voltage protection, short circuit protection
- Built-in EMI filter components, comply with the EN55032 class B standard
- Class II Construction

### APPLICATIONS (应用)

This series could be widely applied in the LED, light control, Instrument, smart home and other home appliances.

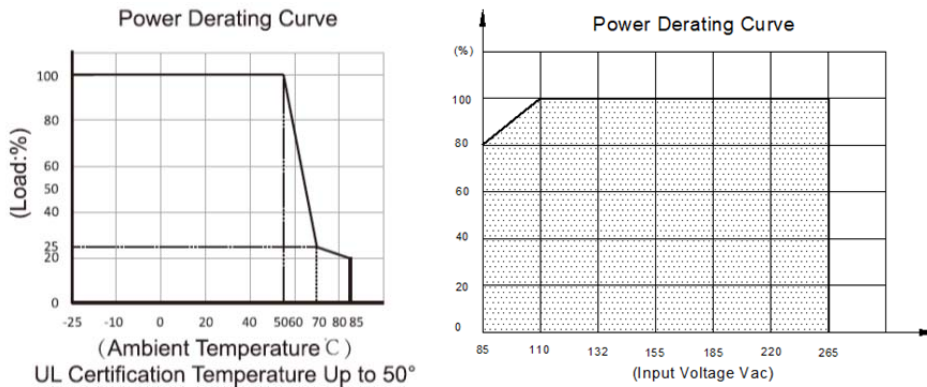
### MODEL LIST (型号列表)

Model No.	Output Power	DC Voltage	Rated Current	Efficiency 230VAC, % Typ.	Ripple&Noise (max)	Ambient TEMP(°C)	Weight	Certificate		
								UL	TUV	CE
ZP03S0500WE	3W	5 Vdc	600mA	65%	<5% Vout	50	15g	●	●	●
ZP03S0600WE	3W	6 Vdc	500mA	65%	<5% Vout	50	15g	●	●	●
ZP03S0700WE	3W	7.5Vdc	400mA	65%	<5% Vout	50	15g	●	●	●
ZP03S0800WE	3W	8Vdc	375mA	65%	<5% Vout	50	15g	●	●	●
ZP03S0900WE	3W	9Vdc	333mA	65%	<5% Vout	50	15g	●	●	●
ZP03S1000WE	3W	10Vdc	300mA	65%	<5% Vout	50	15g	●	●	●
ZP03S1200WE	3W	12Vdc	250mA	65%	<5% Vout	50	15g	●	●	●
ZP03S1500WE	3W	15Vdc	200mA	65%	<5% Vout	50	15g	●	●	●
ZP03S1800WE	3W	18Vdc	166mA	65%	<5% Vout	50	15g	●	●	●
ZP03S2400WE	3W	24Vdc	125mA	65%	<5% Vout	50	15g	●	●	●

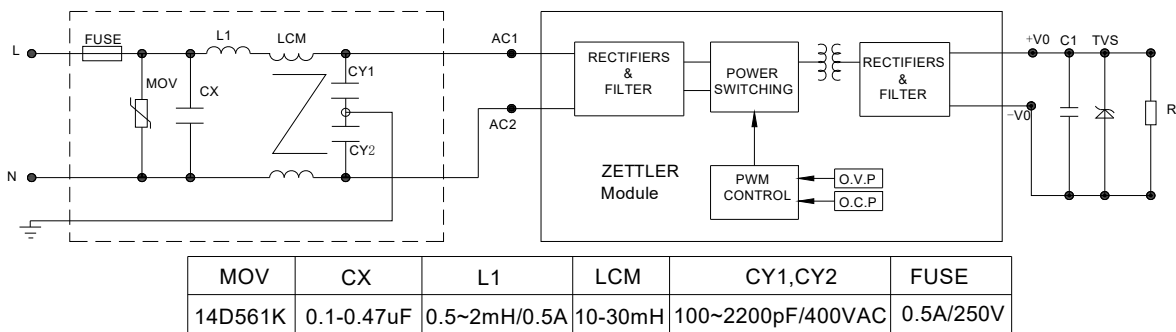
### ELECTRICAL SPECIFICATION (电性能参数)

Model No. / 型号		Specification		
Input 输入参数	Rated Voltage / 额定电压	100-240VAC		
	Voltage Range / 输入电压范围	85-265VAC or 100-370VDC		
	Frequency (Hz) / 输入频率范围	47-63 Hz		
	Current (Full load) / 输入电流	115VAC	230VAC	
		70mA	40mA	
	Inrush Current (<500us) / 冲击电流	10A	20A	
	No Load Loss / 待机功耗	0.3W Max		
HOT PLUG / 热拔插	Unavailable			
Output 输出参数	Voltage (V) / 输出电压	Refer to "Model List"		
	Current (mA) max. / 输出额定电流	Refer to "Model List"		
	Voltage Accuracy / 输出电压精度	0-10%: $\pm 7\%$ / 10-100% : $\pm 5\%$		
	Line Regulation / 线性调节率	$\pm 2\%$		
	Load Regulation / 负载调节率	$\pm 3\%$		
	Minimum Load (mA) / 最小负载	0		
	Ripple & Noise / 输出纹波	Refer to "Model List"		
	Efficiency (typ.) / 工作效率	Refer to "Model List"		
	Set-up Time / 开机时间	15.9ms/230VAC, 23.8ms/115VAC		
	Hold up Time / 掉电保持时间(典型值)	20ms/230VAC , 10ms/115VAC		
Protection 保护特性	Over Current Protection / 过流保护	$\geq 120\%$ Io Self-recovery		
	Short Circuit Protection / 短路保护	Hiccup ,continuous ,short capable, self-recovery		
Environment 环境	Operating Temperature / 工作温度	-25°C...+50°C @Free air convection		
	Operating Humidity / 工作湿度	10-90% RH		
	Storage Temperature / 存储温度	-40°C...+105°C		
	Storage Humidity / 存储湿度	5-95% RH		
	Temperature Coefficient/温度漂移系数	$\pm 0.05\%/^{\circ}\text{C}$ (0~50°C)		
Physical 外观结构	Case Material / 外壳材质	Plastic (UL 94V-0 rated)		
	Weight / 产品净重	15g (ref.)		
Safety & EMC 安全认证及 电磁兼容	Dielectric Strength / 绝缘强度	I/P-O/P : 3000VAC		
	Safety Standards / 安全标准	Compliance With UL/EN60950-1, UL/EN62368-1, EN61558-2-16		
	EMI / 电磁兼容	Compliance With EN55032 CLASS B, EN61000-3-2, EN61000-3-3	Need to add external EMC component (Refer to the Schematic)	
	EMS (Noise Immunity)/ 电磁抗干扰	Compliance With EN55035		
Reliability Requirement 可靠性要求	MTBF/平均故障间隔时间	300Khrs Min MIL-HDBK-217F (25°C)		
	Burn-In Test/ 老化测试	The unit shall be burned in for 2~4 hours under 264Vac input and with full load at normal temperature		

## PRODUCT CHARACTERISTIC CURVE (产品特性曲线)



## TYPICAL APPLICATION SCHEMATIC (典型应用电路)



Note: External circuit components are only recommendations, customers should choose their own components and values according to their specific system application requirements.

## MECHANICAL SPECIFICATION (尺寸图)

