

Safety isolating transformer, UL-approved



Type SUL

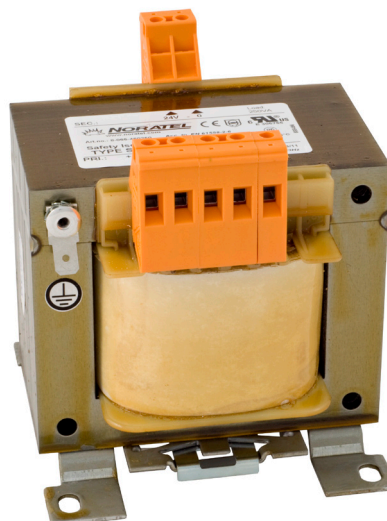
Open single-phase safety isolating transformer with separate insulated windings and protected against dust, humidity and corrosion through complete impregnation in heat tempered varnish. UL-approved and produced according to DNV, Lloyds register of shipping and Bureau Veritas regulations which include 45°C ambient temperature. Compact design, fixed installation, easy mounting in cabinets or switchboards.

Applications:

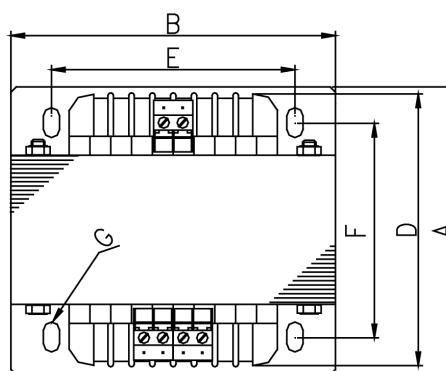
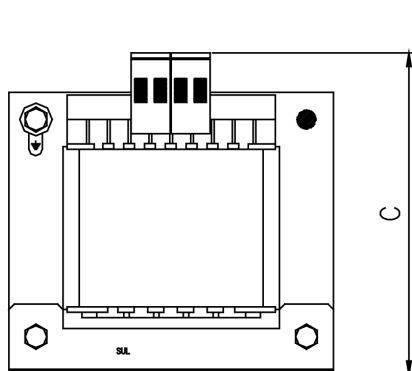
Industrial isolating-/control-transformer suitable for installation which require protective separation between input and output.

SUL84A, SUL84B, SUL96C & SUL96C can be mounted on 35mm DIN-rail.

The transformer must be protected against overload and short circuit in the installation.



Type	Dimensions (mm)								Wt (Kg)
	A	B	C	C (24V sec.)	D	E	F	G	
SUL84A	86	84	97		60	64	65	4,5x8	1,4
SUL84B	86	84	97		74	64	65	4,5x8	1,9
SUL96B	102	96	105		80	84	87	5,5x9	2,8
SUL96C	102	96	105		94	84	87	5,5x9	3,5
SUL120A	86	120	120		88	90	69	6x11	4,2
SUL120B	98	120	120		100	90	81	6x11	5,1
SUL120C	117	120	+20	125	120	90	101	6x11	6,6
SUL150A	106	150	+45	150	108	122	85	7x13	8,1
SUL150B	122	150	+45	150	124	122	103	7x13	9,9
SUL150C	147	150	+45	150	150	122	128	7x13	13,3
SUL192C	156	192	180		154	150	126	10x18	22,5
SUL192D	177	192	188		175	150	148	10x18	27,3
SUL192E	184	192	188		184	150	154	10x18	28,7



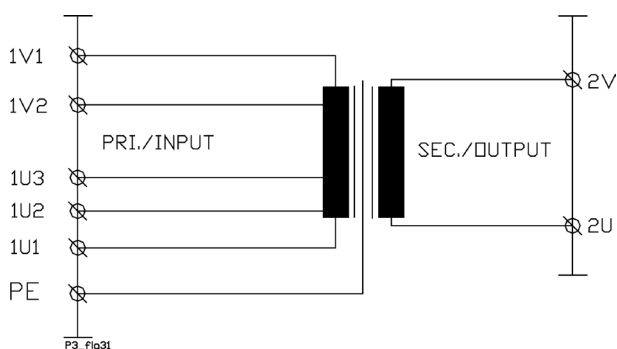
Technical specifications

- Input voltage: According to table
- Frequency: 47-63 Hz
- Output voltage: 24V
- According to: EN61558, EN60529
UL5085-1, UL5085-2, UL file no. E115159
CSA C22.2 No 66.1-06, No 66.2-06
XPTQ2 & XPTQ8
- Test/insulating voltage: 4,5 kV AC RMS
- Construction class: I
- Insulation class: IEC - B (130°C)
UL - class F (155°C)
- Ambient temp. (t_a): 45°C
- Degree of protection: IPXXB

The SUL 234 transformer series is designed for connecting to a wide range of primary voltages. Connect neutral conductor (N) and phase conductor (P) according to the table:

Type	Voltage Sec. (V)	Current Sec. (A)	Power (VA) IEC / UL	Art. no.
0-215-230-245-385-400-415 / 24 V				
SUL84A-234024	24	2,63	63 / 63	4-065-084024
SUL84B-234024	24	4,17	100 / 100	4-065-084124
SUL96B-234024	24	6,67	160 / 160	4-065-096024
SUL96C-234024	24	10,42	250 / 200	4-065-096124
SUL120A-234024	24	13,33	320 / 250	4-065-120024
SUL120B-234024	24	16,67	400 / 320	4-065-120124
SUL120C-234024	24	20,83	500 / 400	4-065-120224
SUL150A-234024	24	26,25	630 / 500	4-065-150024
SUL150B-234024	24	33,33	800 / 630	4-065-150124
SUL150C-234024	24	41,67	1000 / 800	4-065-150224
0-380-400-420-440-460-480 / 24 V				
SUL84A-460024	24	2,63	63 / 63	8-065-460063
SUL84B-460024	24	4,17	100 / 100	8-065-460100
SUL96B-460024	24	6,67	160 / 160	8-065-460160
SUL96C-460024	24	10,42	250 / 200	8-065-460250
0-475-500-525-550-575-600 / 24 V				
SUL84A-500024	24	2,63	63 / 63	8-065-500063
SUL84B-500024	24	4,17	100 / 100	8-065-500100
SUL96B-500024	24	6,67	160 / 160	8-065-500160
SUL96C-500024	24	10,42	250 / 200	8-065-500250

Wiring diagram



230-400 +/-15 V

Primary voltage	Terminal				
	+15	0	15	230	400
215 V			N	P	
230 V		N		P	
245 V	N			P	
385 V			N		P
400 V		N			P
415 V	N				P

400-460 +/-20 V

Primary voltage	Terminal				
	+20	0	20	400	460
380 V			N	P	
400 V		N		P	
420 V	N			P	
440 V			N		P
460 V		N			P
480 V	N				P

500-575 +/-25 V

Primary voltage	Terminal				
	+25	0	25	500	575
475 V			N	P	
500 V		N		P	
525 V	N			P	
550 V			N		P
575 V		N			P
600 V	N				P