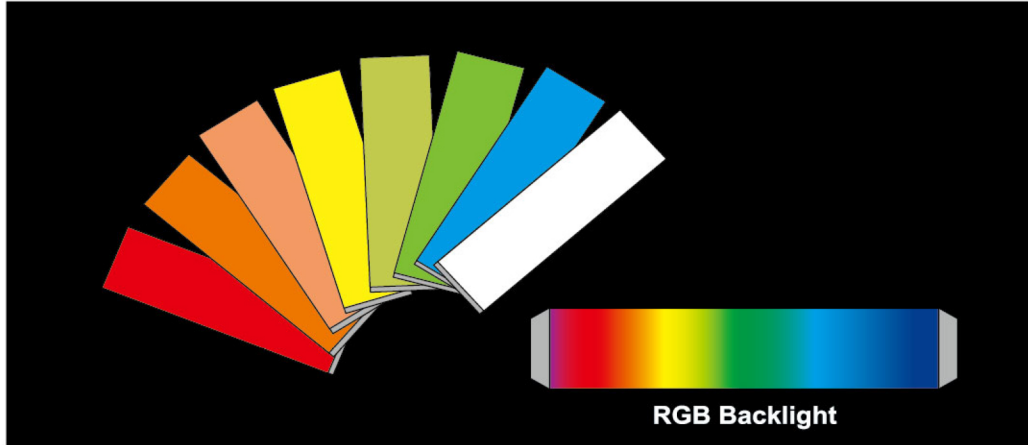


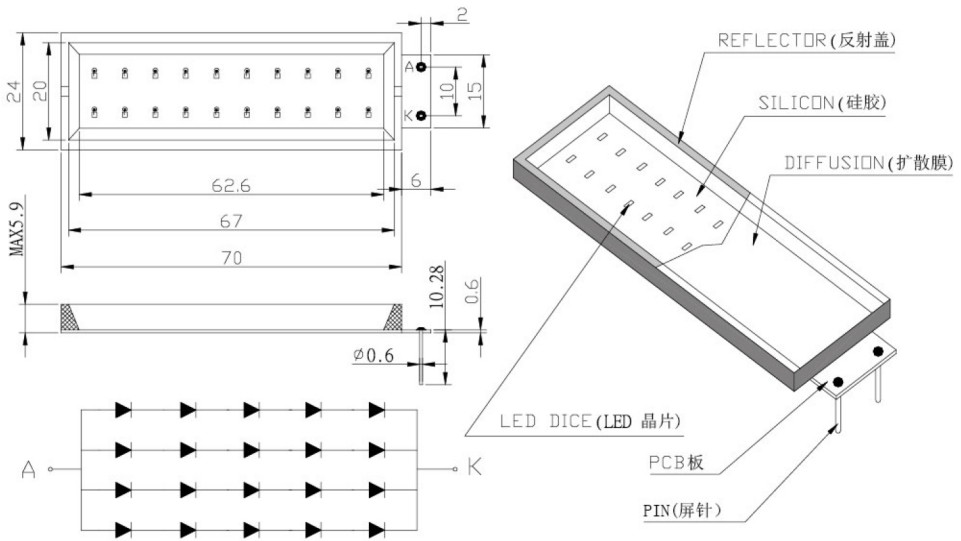
LED BACKLIGHT 背光产品

LED底部背光源--LED Bottom Backlight
LED侧部背光源--LED Side Backlight

Thickness: 0.7mm(MIN)
Size: 254mm*254mm(MAX)



● 底部发光方式—Structural diagram of bottom lights



● 双侧发光方式—lighting from the double side

