

ZETTLER DISPLAYS

SPECIFICATIONS FOR LIQUID CRYSTAL DISPLAY

CUSTOMER APPROVAL			
※ PART NO. : <u>ATM2412D SERIES SPEC VER2.1</u>			
APPROVAL		COMPANY CHOP	
CUSTOMER COMMENT S			

ZETTLER DISPLAYS ENGINEERING APPROVAL		
DESIGNED BY	CHECKED BY	APPROVED BY

ATM2412D SERIES TFT GRAPHIC MODULE VER2.1

REVISION RECORD

REVISION	REVISION DATE	PAGE	CONTENTS
VER1.0	2013-07-18		FIRST ISSUE
VER2.0	2013-08-20		CHANGE HOLE SIZE
VER2.1	2019-01-11	3,15	DELETE T6963 OPTION AS IT'S OBSOLETE

※ **CONTENTS**

- 1.0 GENERAL SPECS
- 2.0 ABSOLUTE MAXIMUM RATINGS
- 3.0 ELECTRICAL CHARACTERISTICS
- 4.0 OPTICAL CHARACTERISTICS
- 5.0 BLOCK DIAGRAM
- 6.0 PIN ASSIGNMENT
- 7.0 POWER SUPPLY
- 8.0 TIMING CHARACTERISTICS
- 9.0 MECHANICAL DIAGRAM
- 10.0 RELIABILITY TEST
- 11.0 DISPLAY INSTRUCTION TABLE
- 12.0 PRECAUTION FOR USING LCM
- Appendix: P/N description

ATM2412D SERIES TFT GRAPHIC MODULE VER2.1

1.0 GENERAL SPECS

ATM2412D series high contrast graphic module is an advanced product which adopts TFT and FPGA technology. It can perfectly replace the old 240*128 STN/FSTN graphic module with almost no change on hardware and software. Customer can easily get higher contrast, wider viewing angle, better high/low temperature performance and other features with least cost increasing.

1. Display Format	240*128 DOTS
2. Power Supply LCM	5.0V/3.3V (Refer to P/N description in last page)
3. Overall Module Size	144.0mm(W) x 104.0mm(H) x max 12.0mm(D) *
4. Viewing Area(W*H)	113.5mm(W) x 64.8mm(H)
5. Pixel Pitch (W*H)	0.462mm(W) x 0.462mm(H)
6. Active Area(W*H)	110.88mm(W) x 59.136mm(H)
6. Viewing Direction	Free viewing angle
7. Driving Method	TFT
8. Controller IC	RA6963/UCi6963(Refer to P/N description)
9. Display Mode	Customized display mode(Refer to P/N description)
10. Backlight Options	White LED/Side
11. Operating temperature	-20°C ~ 70°C
12. Storage temperature	-30°C ~ 80°C
13. RoHS	RoHS compliant

* Doesn't contain connector height

2.0 ABSOLUTE MAXIMUM RATINGS

Item	Symbol	Min	Typ	Max	Unit
Operating temperature	Top	-20	--	70	°C
Storage temperature	Tst	-30	--	80	°C
Input voltage	Vin	Vss-0.3	--	Vdd+0.3	V
Supply voltage for logic	Vdd- Vss	-0.3	-	7.0	V

3.0 ELECTRICAL CHARACTERISTICS

3.1 Electrical Characteristics Of LCM

Item	Symbol	Condition	Min	Typ	Max	Unit
Power Supply Voltage	Vdd	25°C	4.8	5.0	5.2	V
			3.0	3.3	3.6	
Power Supply Current	Idd	Vdd=5.0V	--	--	65	mA
		Vdd=3.3V	--	--	55	
Input voltage (high)	Vih	Pins:(/WR, /RD, /CE, C/D, /RESET, DB0-DB7, FS)	0.8Vdd	--	Vdd	V
Input voltage (low)	Vil		0	--	0.2Vdd	V

3.2 The Characteristics Of LED Backlight

3.2.1 Electrical-Optical Characteristics Of LED Backlight (Ta=25°C)

Item	Symbol	Condition	Min	Typ	Max	Unit
Forward Voltage ⁽¹⁾⁽⁵⁾	Vf	--	3	5	5.5	V
Forward Current ⁽⁵⁾	If	Vf = 5V	--	206	--	mA
Luminance ⁽³⁾	Lv	Vf = 5V	200	250	--	cd/m ²
Uniformity ⁽²⁾	Δ	(Lvmin/Lvmax)%	70%	75%	--	-
Chroma coordinate	x	Vf = 5V	0.26	--	0.36	-
	y		0.28	--	0.38	-
Lifetime ⁽⁴⁾	-	Vf = 5V	-	20000	-	Hours

NOTE:

(1) Forward voltage means voltage applied to Pin21 & Pin22

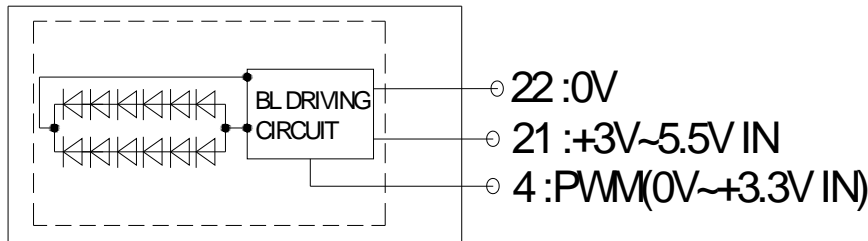
(2) The luminance is the average value of 5 points, The measurement instrument is BM-7 luminance colorimeter. The diameter of aperture is Φ5mm

(3) Luminance when LCM displaying white color.

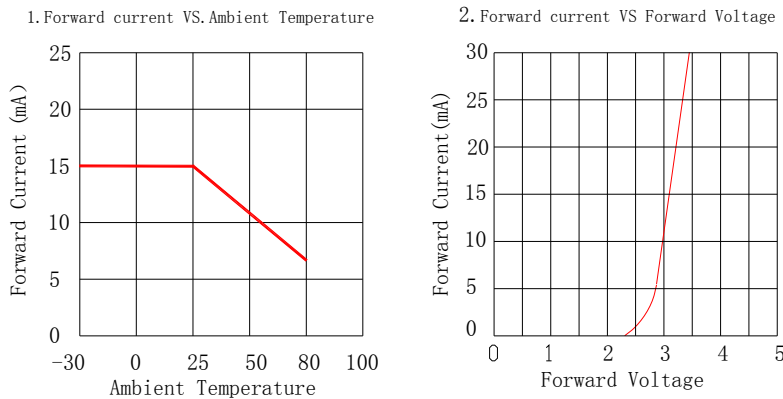
(4) Backlight lifetime means luminance value larger than half of the original after 20000 hours' continuous working.

(5) Input current of Pin 21 might change because the voltage of PIN21 will affect the efficiency of backlight driving circuit, but current for LEDs will keep constant within the range of input voltage.

3.2.2 Backlight Control Circuit For LCM (2x6=12 pcs LED)



3.2.3 LED Characteristics Curves (for single led)

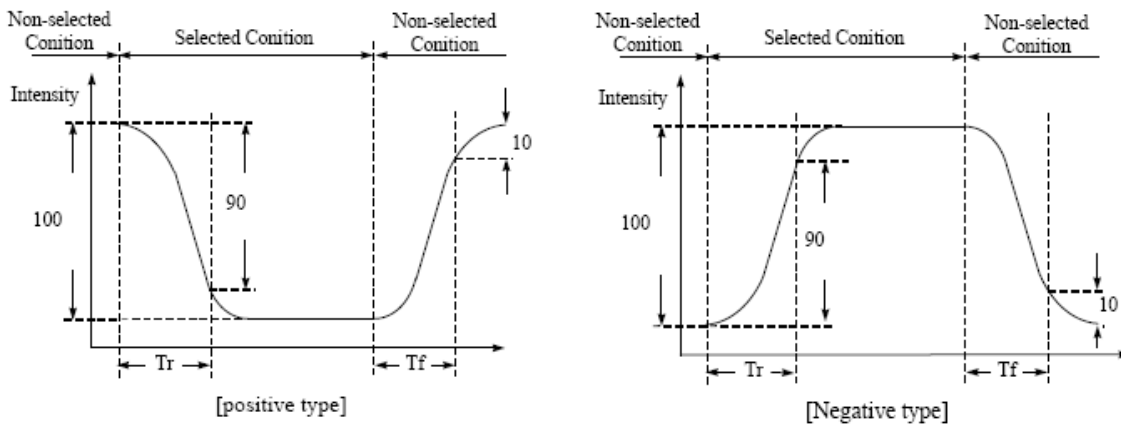


4.0 OPTICAL CHARACTERISTICS (Ta=25°C)

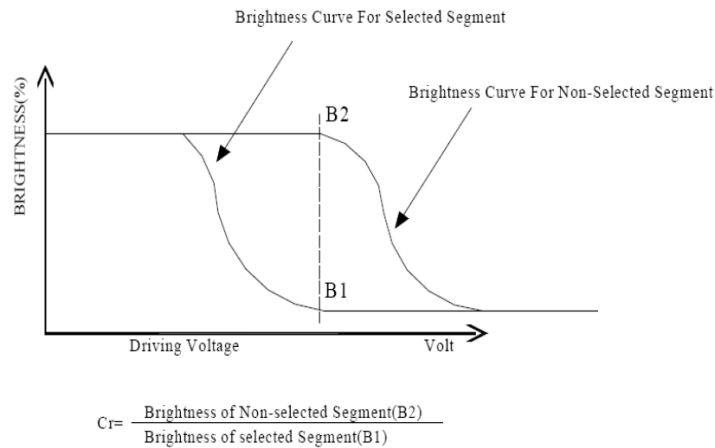
ATM2412D SERIES TFT GRAPHIC MODULE VER2.1

Item	Symbol	Condition	Min	Typ	Max	Unit
Viewing angle (Left - right)	θ_2	$Cr \geq 2.0$	-80	-	80	deg
Viewing angle (Up-down)	θ_1	$Cr \geq 2.0$	-80	-	80	deg
Contrast Ratio ($\theta_1=0^\circ, \theta_2=0^\circ$)	Cr	FT:white,BG:black	400	500	-	-
		FT:black,BG:white	400	500	-	-
		FT:white,BG:blue	48	60	-	-
		FT:black,BG:Y-G	320	400	-	-
Response time (rise)	Tr	$\theta_1=0^\circ, \theta_2=0^\circ$	-	10	20	ms
Response time (fall)	Tf	$\theta_1=0^\circ, \theta_2=0^\circ$	-	15	30	ms

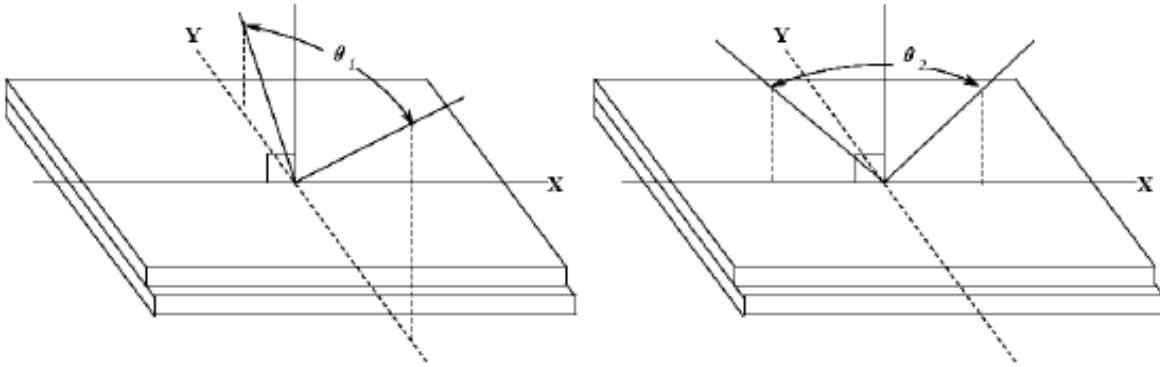
(1). Definition of Optical Response Time



(2). Definition of Contrast Ratio

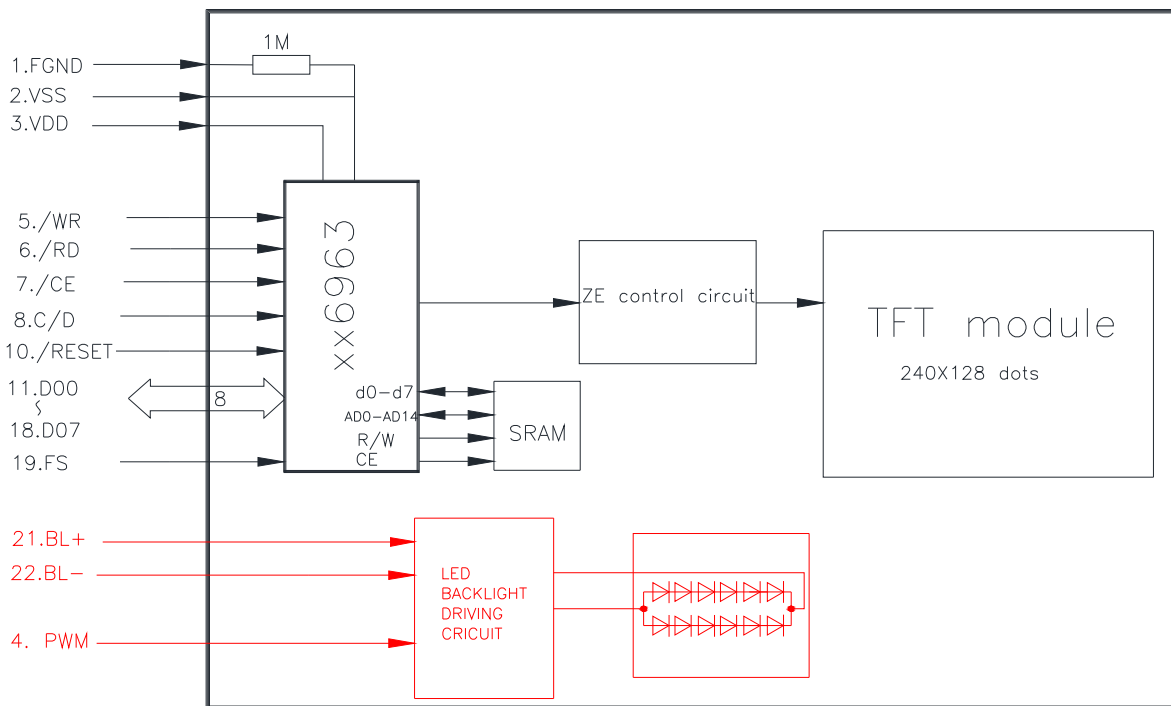


(3). Definition of Viewing Angle θ_2 and θ_1



5.0 BLOCK DIAGRAM

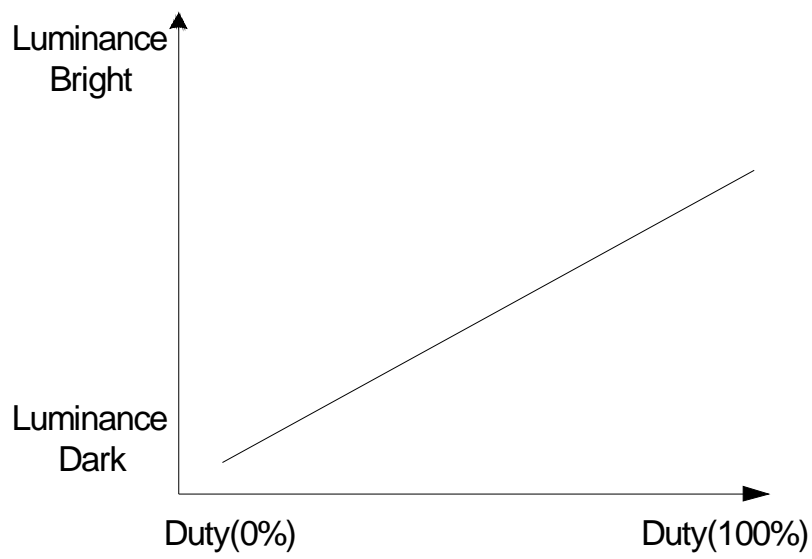
Block diagram



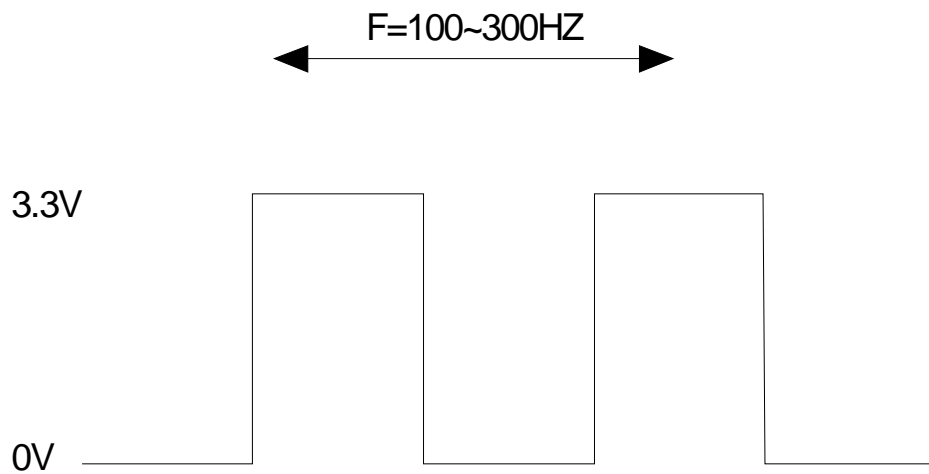
6.0 PIN ASSIGNMENT

Pin No.	Symbol	Function	I/O
1	FGND	Frame Ground, connected to VSS via a 1M ohms resistor internally	P
2	VSS	Power ground	P
3	VDD	5V/3.3V	P, Refer to P/N description
4	PWM	Adjust the led brightness with PWM Pulse / H: ON, L:OFF Note 1,2	I
5	/WR	Data write	I
6	/RD	Data read	I
7	/CE	Chip Enable	I
8	C/D	Command/Data	I
9	NC	No connection	-
10	/RESET	Reset	I
11	DB0	Data bit 0	I/O
12	DB1	Data bit 1	I/O
13	DB2	Data bit 2	I/O
14	DB3	Data bit 3	I/O
15	DB4	Data bit 4	I/O
16	DB5	Data bit 5	I/O
17	DB6	Data bit 6	I/O
18	DB7	Data bit 7	I/O
19	FS	Font SelectH=6*8dots matrix, L=8*8 dot matrix	I
20	D.C.	Don't care	-
21	BL+	Power supply for LED driving circuit, 5V typical	P
22	BL-	Power ground for LED driving circuit.	P

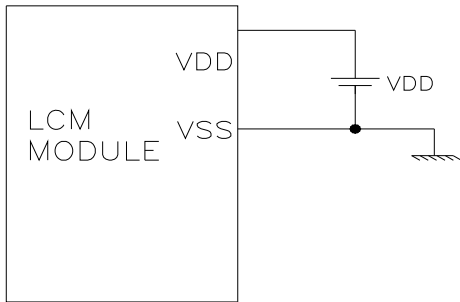
Note1: Pin4 is used to adjust brightness.



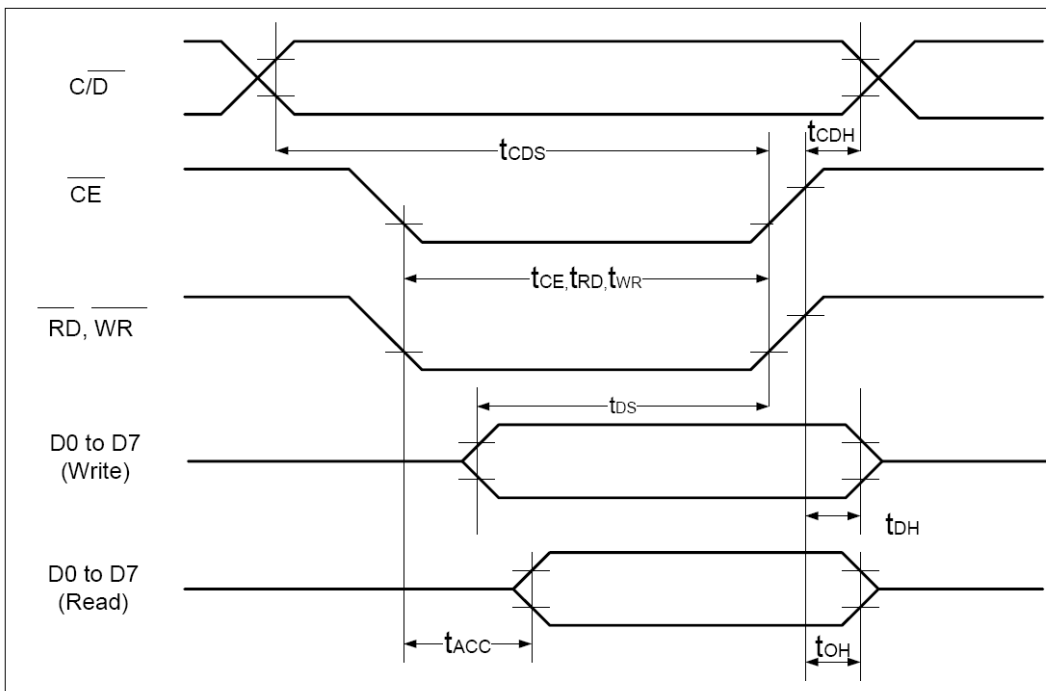
Note 2: PWM signal=0 ~3.3V; Operating frequency:100~300Hz.



7.0 POWER SUPPLY



8.0 TIMING CHARACTERISTICS

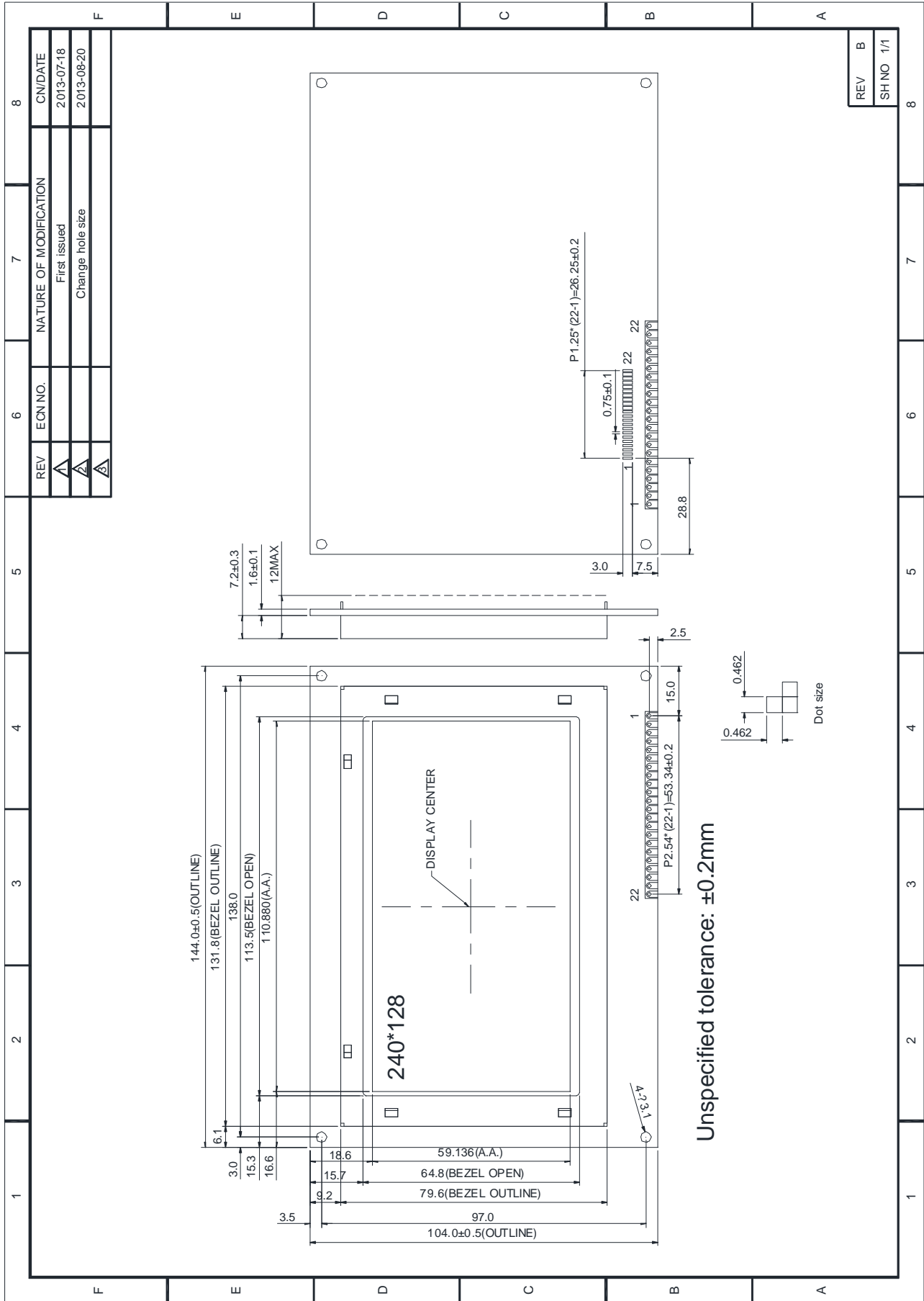


($V_{DD}=+5V\pm 5\%$, $GND=0V$, $T_a = -20$ to $+70^\circ C$)

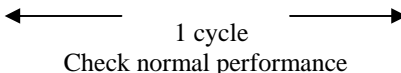
Item	Symbol	Test Conditions	Min.	Max.	Unit
C/\overline{D} Set Up Time	t_{CDS}	--	100	--	ns
C/\overline{D} Hold Time	t_{CDH}	--	10	--	ns
\overline{CE} , \overline{RD} , \overline{WR} Pulse Width	t_{CE} , t_{RD} , t_{WR}	--	80	--	ns
Data Set Up Time	t_{DS}	--	80	--	ns
Data Hold Time	t_{DH}	--	40	--	ns
Access Time	t_{ACC}	--	--	150	ns
Output Hold Time	t_{OH}	--	10	50	ns

RA6963 timing. For other timing characteristics or detailed information, please refer to IC specification

9.0 MECHANICAL DIAGRAM



10.0 RELIABILITY TEST

NO	Test Item	Description	Test Condition	Remark	
1	Environmental Test	High temperature storage	Applying the high storage temperature Under normal humidity for a long time Check normal performance	80 °C 96hrs	
2		Low temperature storage	Applying the low storage temperature Under normal humidity for a long time Check normal performance	-30°C 96hrs	
3		High temperature Operation	Apply the electric stress(Voltage and current) Under high temperature for a long time	70 °C 96hrs	Note1
4		Low temperature Operation	Apply the electric stress Under low temperature for a long time	-20°C 96hrs	Note1 Note2
5		High temperature/High Humidity Storage	Apply high temperature and high humidity storage for a long time	90% RH 40°C 96hrs	Note2
6		Temperature Cycle	Apply the low and high temperature cycle -30°C <> 25°C <> 80°C <> 25°C 30min 10min 30min 10min  1 cycle Check normal performance	-30°C/80°C 10 cycle	
7	Mechanical Test	Vibration test(Package state)	Applying vibration to product check normal performance	Freq:10~55~10Hz Amplitude:0.75mm 1cycle time:1min X.Y.Z every direction for 15 cycles	
8		Shock test(package state)	Applying shock to product check normal performance	Drop them through 70cm height to strike horizontal plane	
9	Other				

Remark

Note1:Normal operations condition (25°C±5°C).

Note2:Pay attention to keep dewdrops from the module during this test.

11.0 DISPLAY INSTRUCTION TABLE

INSTRUCTION	C/D	\overline{R} D	\overline{W} R	D 7	D 6	D 5	D 4	D 3	D 2	D 1	D 0	DESCRIPTION	
Status Read	1	0	1	S7	S6	S5	S4 Not used	S3	S2	S1	S0	S1~S5 0: In operation 1: Ready S6 0:No Error 1:Error S7 0:Display Off 1:Normal Display	
Register Set	1	1	0	0	0	1	0	0	0	0	1	Set Cursor Pointer Set Offset Register Set Address Pointer	
Control Word Set	1	1	0	0	1	0	0	0	0	0	0	Set Text Home Address Set Text Area Set Graphic Home Address Set graphic Area	
Mode Set	1	1	0	1	0	0	0	X X X X 0 1	0 0 0 1 X X	0 0 1 1 0 X X	0 1 1 0 X X X	OR mode EXOR mode AND mode Text Attribute mode Internal CG ROM mode External CG RAM mode	
Display Mode	1	1	0	1	0	0	1	0 X X 0 1 1	0 X X 1 0 1	0 1 1 X X X	0 1 1 X X X	Display Off Cursor on,blink off Cursor on,blink on Text on,graphic off Text off,graphic on Text on,graphic on	
Cursor Pattern Select	1	1	0	1	1	0	0	0	N 2	N 1	N 0	Cursor Set	
Data Auto Read /Write	1	1	0	1	0	1	1	0	0	0	0	Set Data Auto Write Set Data Auto Read Auto Reset	
Data Read Write	1	1	0	1	1	0	0	0	N 2	N 1	N 0	Data Read/Write And ADP Increment/Decrement It should executed after setting Address using Set Address Pointer command.	
Screen Peek	1	1	0	1	1	1	0	0	0	0	0	Screen Peek	
Screen Copy	1	1	0	1	1	1	0	1	0	0	0	Screen Copy	
Bit Set Reset	1	1	0	1	1	1	1	N 3	N 2	1	N 0	Bit Set	
Data Write	0	1	0	Write Data									Writes data DBO~DB7 from MPU to external display RAM.
Data Read	0	0	1	Read Data									Reads data DB0~DB7 from external display RAM to MPU.

x : invalid

For more information please refer to controller Specification.

12.0 PRECAUTION FOR USING LCM

1. When design the product with this LCD Module, make sure the viewing angle matches to its purpose of usage.
2. As LCD panel is made of glass substrate, Dropping the LCD module or banging it against hard objects may cause cracking or fragmentation. Especially at corners and edges.
3. Although the polarizer of this LCD Module has the anti-glare coating, always be careful not to scratch its surface. Use of a plastic cover is recommended to protect the surface of polarizer.
4. If the LCD module is stored at below specified temperature, the LC material may freeze and be deteriorated. If it is stored at above specified temperature, the molecular orientation of the LC material may change to Liquid state and it may not revert to its original state. Excessive temperature and humidity could cause polarizer peel off or bubble. Therefore, the LCD module should always be stored within specified temperature range.
5. Saliva or water droplets must be wiped off immediately as those may leave stains or cause color changes if remained for a long time. Water vapor will cause corrosion of ITO electrodes.
6. If the surface of LCD panel needs to be cleaned, wipe it swiftly with cotton or other soft cloth. If it is not still clean enough, blow a breath on the surface and wipe again.
7. The module should be driven according to the specified ratings to avoid malfunction and permanent damage. Applying DC voltage cause a rapid deterioration of LC material. Make sure to apply alternating waveform by continuous application of the M signal. Especially the power ON/OFF sequence should be kept to avoid latch-up of driver LSIs and DC charge up to LCD panel.
8. Mechanical Considerations
 - a) LCM are assembled and adjusted with a high degree of precision. Avoid excessive shocks and do not make any alterations or modifications. The following should be noted.
 - b) Do not tamper in any way with the tabs on the metal frame.
 - c) Do not modify the PCB by drilling extra holes, changing its outline, moving its components or modifying its pattern.
 - d) Do not touch the elastomer connector; especially insert a backlight panel (for example, EL).
 - e) When mounting a LCM makes sure that the PCB is not under any stress such as bending or twisting. Elastomer contacts are very delicate and missing pixels could result from slight dislocation of any of the elements.
 - f) Avoid pressing on the metal bezel, otherwise the elastomer connector could be deformed and lose contact, resulting in missing pixels.
9. Static Electricity
 - a) Operator

Ware the electrostatics shielded clothes because human body may be statically charged if not ware shielded clothes. Never touch any of the conductive parts such as the LSI pads; the copper leads on the PCB and the interface terminals with any parts of the human body.

b) Equipment

There is a possibility that the static electricity is charged to the equipment, which has a function of peeling or friction action (ex: conveyer, soldering iron, working table). Earth the equipment through proper resistance (electrostatic earth: 1×10^8 ohm).

Only properly grounded soldering irons should be used.

If an electric screwdriver is used, it should be well grounded and shielded from commutator sparks.

The normal static prevention measures should be observed for work clothes and working benches; for the latter conductive (rubber) mat is recommended.

c) Floor

Floor is the important part to drain static electricity, which is generated by operators or equipment.

There is a possibility that charged static electricity is not properly drained in case of insulating floor. Set the electrostatic earth (electrostatic earth: 1×10^8 ohm).

d) Humidity

Proper humidity helps in reducing the chance of generating electrostatic charges. Humidity should be kept over 50%RH.

e) Transportation/storage

The storage materials also need to be anti-static treated because there is a possibility that the human body or storage materials such as containers may be statically charged by friction or peeling.

The modules should be kept in antistatic bags or other containers resistant to static for storage.

f) Soldering

Solder only to the I/O terminals. Use only soldering irons with proper grounding and no leakage.

Soldering temperature : $280^{\circ}\text{C} \pm 10^{\circ}\text{C}$

Soldering time: 3 to 4 sec.

ATM2412D SERIES TFT GRAPHIC MODULE VER2.1

Use eutectic solder with resin flux fill.

If flux is used, the LCD surface should be covered to avoid flux spatters. Flux residue should be removed afterwards.

g) Others

The laminator (protective film) is attached on the surface of LCD panel to prevent it from scratches or stains. It should be peeled off slowly using static eliminator.

Static eliminator should also be installed to the workbench to prevent LCD module from static charge.

10. Operation

- a) Driving voltage should be kept within specified range; excess voltage shortens display life.
 - b) Response time increases with decrease in temperature.
 - c) Display may turn black or dark blue at temperatures above its operational range; this is (however not pressing on the viewing area) may cause the segments to appear "fractured".
 - d) Mechanical disturbance during operation (such as pressing on the viewing area) may cause the segments to appear "fractured".
11. If any fluid leaks out of a damaged glass cell, wash off any human part that comes into contact with soap and water. The toxicity is extremely low but caution should be exercised at all the time.
 12. Disassembling the LCD module can cause permanent damage and it should be strictly avoided.
 13. LCD retains the display pattern when it is applied for long time (Image retention). To prevent image retention, do not apply the fixed pattern for a long time. Image retention is not a deterioration of LCD. It will be removed after display pattern is changed.
 14. Do not use any materials, which emit gas from epoxy resin (hardener for amine) and silicone adhesive agent (dealcohol or deoxym) to prevent discoloration of polarizer due to gas.
 15. Avoid the exposure of the module to the direct sunlight or strong ultraviolet light for a long time.
 16. The brightness of LCD module may be affected by the routing of CCFL cables due to leakage to the chassis

through coupling effect. The inverter circuit needs to be designed taking the level of leakage current into

consideration. Thorough evaluation is needed for LCD module and inverter built into its host equipment to ensure specified brightness.

Appendix: P/N description

ATM2412D-NLW-FFW-UM

M: 3.3V logic power supply
Blank: 5.0V logic power supply

U: UCi6963
Blank: RA6963

FW: Always "FW", free viewing angle,
extended working temperature

NLW-F: Black background, white font
NLW-B: Blue background, white font
FLW-F: White background, black font
FL-Y: Yellow-green background, black font
FLW-X: optional background/font color via switch on board

ATM2412D: ATM2412D series