

Isolating transformer, IP43 / IP44

Type LF-GS & LF-GY

Single-phase short circuit proof isolating transformers designed and tested according to EN61558-2-4. Separate insulated windings moulded in self-extinguishing Polyurethane and capsulated in plastic. This protect the transformer against hostile environment such as dust, humidity and corrosion.

Short circuit proof with built-in glass tube fuse, and protected against extremely high temperatures with built in thermal fuse on the primary side.

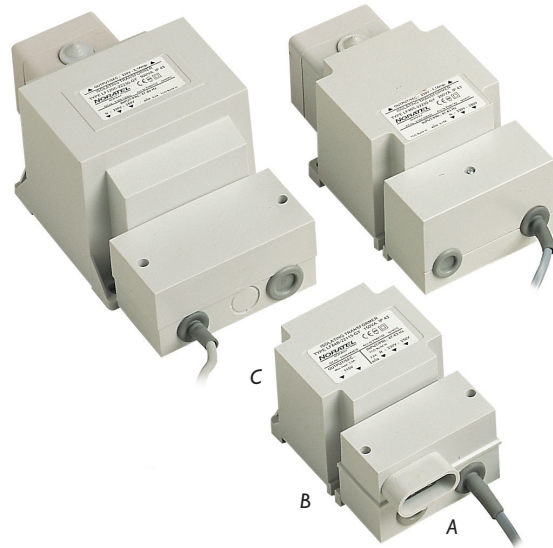
LF-GS are supplied with terminal blocks and cable glands. LF-GY are supplied with 2 meters Euronet-cable, plug and American plug with protection cap. Compact design, fixed installation.

Applications:

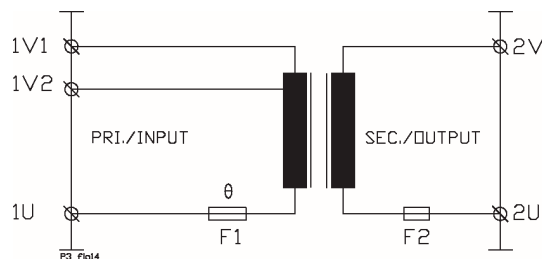
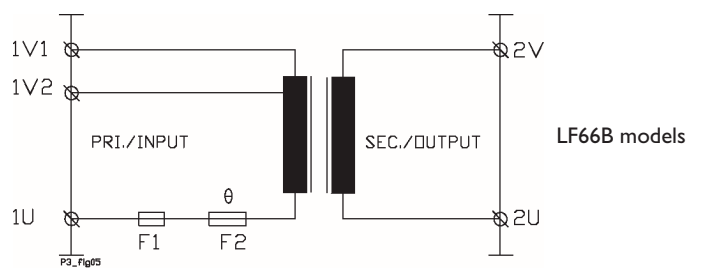
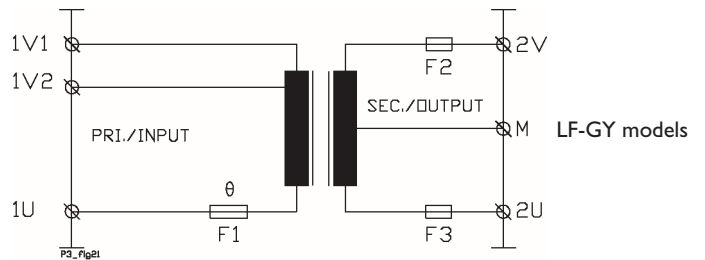
Designed for equipment that requires main voltage/line voltage at 115V (110-120V) e.g. electrical equipment from USA and Canada and for reducing 400V main voltage/line voltage to 230V. Galvanic partition between the primary and secondary side protects installations and equipment by generating "a new system" in which any earth faults are eliminated. Creates a new symmetrical earth point (M) secondary.

Technical specifications

- Input voltage: 230-250V
400-440V
- Frequency: 47-63Hz
- Output voltage: 115V
230V
- According to: EN61558-2-4
- Test/insulating voltage: 4kV AC RMS
- Construction class: II
- Insulation class: B (130°C)
- Ambient temp. (t_a): 40°C
- Degree of protection: IP43 (LF-GY)
IP44 (LF-GS)



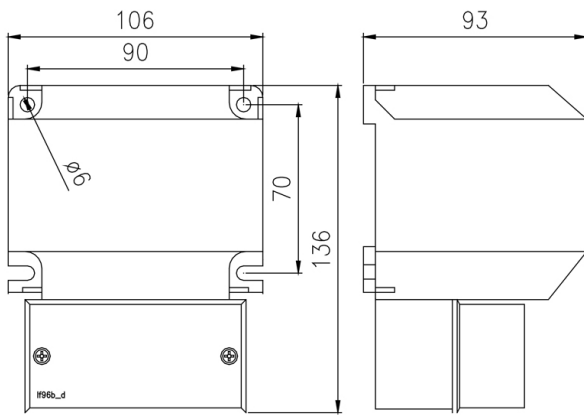
Wiring diagram



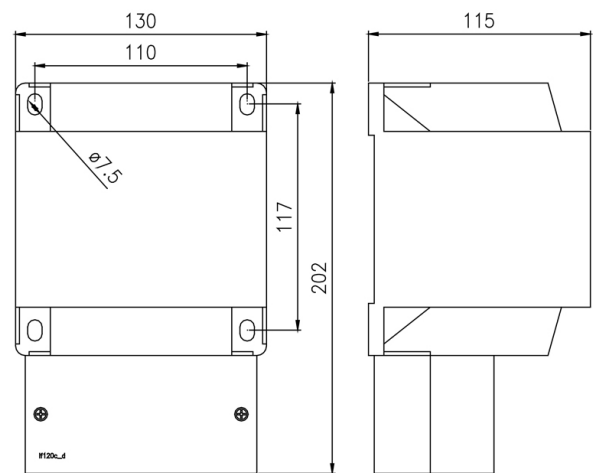
Type	Voltage Pri. (V)	Voltage Sec. (V)	Current Sec. (A)	Power (VA)	Dimensions AxBxC (mm)	Weight (Kg)	Art. no.
230-250/115 V							
LF60B-2115-GY	230	115	0,3	35	66x113x60	1,1	3-054-060616
LF66B-22115-GY	230-250	115	0,5	60	73x133x61	1,5	3-054-066616
LF84B-22115-GY	230-250	115	1,3	150	92x150x87	2,5	3-054-084616
LF96C-22115-GY	230-250	115	2,3	260	106x173x98	4,2	3-054-096816
LF120C-22115-GY	230-250	115	4,4	500	130x202x115	8	3-054-120616
LF150C-22115-GY	230-250	115	8,6	1000	162x235x140	15,3	3-054-150616
230-250/230 V							
LF78A-22230-GY	230-250	230	0,3	60	83x160x78	1,4	3-054-078731
LF84B-22230-GY	230-250	230	0,7	150	92x182x87	2,5	3-054-084731
LF96C-22230-GY	230-250	230	1,1	260	106x205x98	4,2	3-054-096931
LF120C-22230-GY	230-250	230	2,2	500	130x254x115	8	3-054-120931
LF150C-22230-GY	230-250	230	4,3	1000	162x287x140	15	3-054-150931
230-250/115 V							
LF66B-22115-GS	230-250	115	0,5	60	73x124x61	1,3	3-054-066115
LF84A-22115-GS	230-250	115	0,9	105	92x114x83	1,8	3-054-084115
LF84B-22115-GS	230-250	115	1,3	150	92x130x87	2,4	3-054-084615
LF96C-22115-GS	230-250	115	2,3	260	106x153x98	4,2	3-054-096115
LF96CH-22115-GS	230-250	115	2,6	300	106x153x98	4,2	3-054-096615
LF120C-22115-GS	230-250	115	4,3	500	130x202x115	8	3-054-120115
LF150B-22115-GS	230-250	115	6,5	750	162x235x140	12,6	3-054-150115
LF150C-22115-GS	230-250	115	8,7	1000	162x235x140	15,2	3-054-156115
230-250/230 V							
LF66B-22230-GS	230-250	230	0,25	60	73x124x61	1,3	3-054-066230
LF84A-22230-GS	230-250	230	0,45	105	92x114x83	1,8	3-054-084230
LF84B-22230-GS	230-250	230	0,65	150	92x130x87	2,4	3-054-084623
LF96C-22230-GS	230-250	230	1,13	260	106x153x98	4,2	3-054-096230
LF96CH-22230-GS	230-250	230	1,3	300	106x153x98	4,2	3-054-096623
LF120C-22230-GS	230-250	230	2,17	500	130x202x115	8	3-054-120230
LF150B-22230-GS	230-250	230	3,26	750	162x235x140	12,6	3-054-150230
LF150C-22230-GS	230-250	230	4,3	1000	162x235x140	15,2	3-054-156230
400-440/230 V							
LF66B-44230-GS	400-440	230	0,25	60	73x124x61	1,3	3-054-066823
LF84A-44230-GS	400-440	230	0,45	105	92x114x83	1,8	3-054-084423
LF84B-44230-GS	400-440	230	0,65	150	92x130x87	2,4	3-054-084223
LF96C-44230-GS	400-440	230	1,13	260	106x153x98	4,2	3-054-096423
LF96CH-44230-GS	400-440	230	1,3	300	106x153x98	4,2	3-054-096223
LF120C-44230-GS	400-440	230	2,17	500	130x202x115	8	3-054-124230
LF150B-44230-GS	400-440	230	3,2	750	162x235x140	12,6	3-054-150400
LF150C-44230-GS	400-440	230	4,35	1000	162x235x140	15,2	3-054-157230

▪ Information on losses and short-circuit currents on page I-18 & I-19

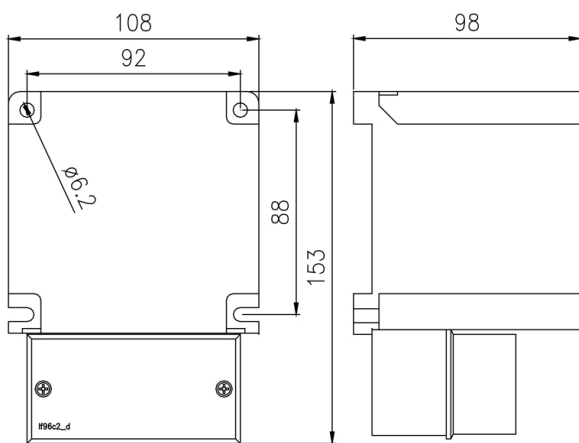
LF96B



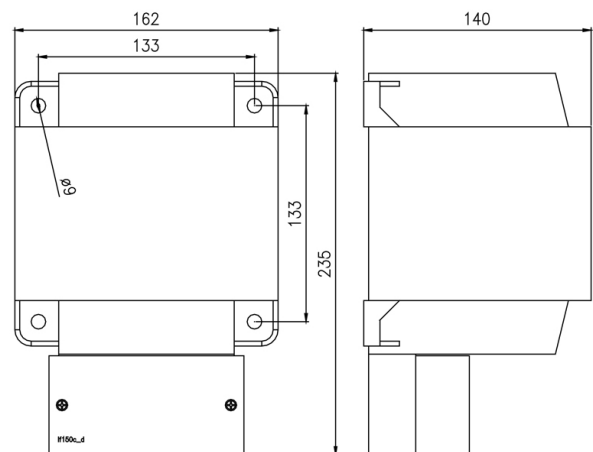
LF120C



LF96C2 / LF96CH2



LF150B / LF150C / LF150CH



LF96C / LF96CH

